

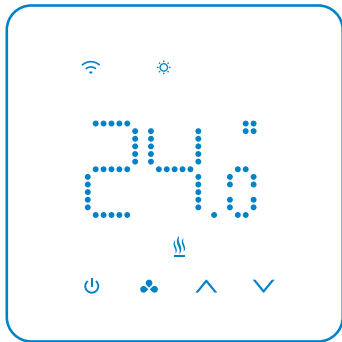
meross

User Manual

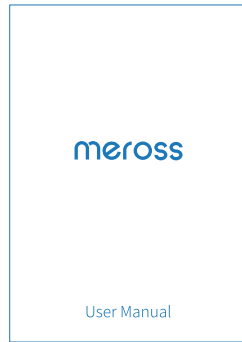
Safety Information

1. Make sure the power is OFF at the circuit breaker controlling the thermostat you are replacing.
2. The thermostat must be installed and used in accordance with your local electrical code. If you are unfamiliar with these codes, or feel uncomfortable performing the installation, please call a qualified electrician.
3. Do Not install the thermostat with wet hands or when standing on wet or damp surfaces.
4. Works with **boiler/water heating** system.
5. Not compatible with **electric heating** system.

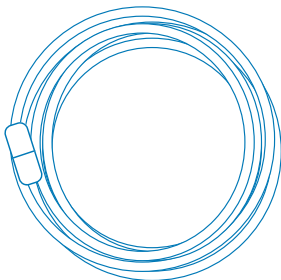
Package Contents



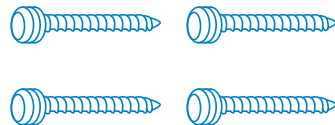
1 x Smart Wi-Fi
Thermostat



1 x User Manual



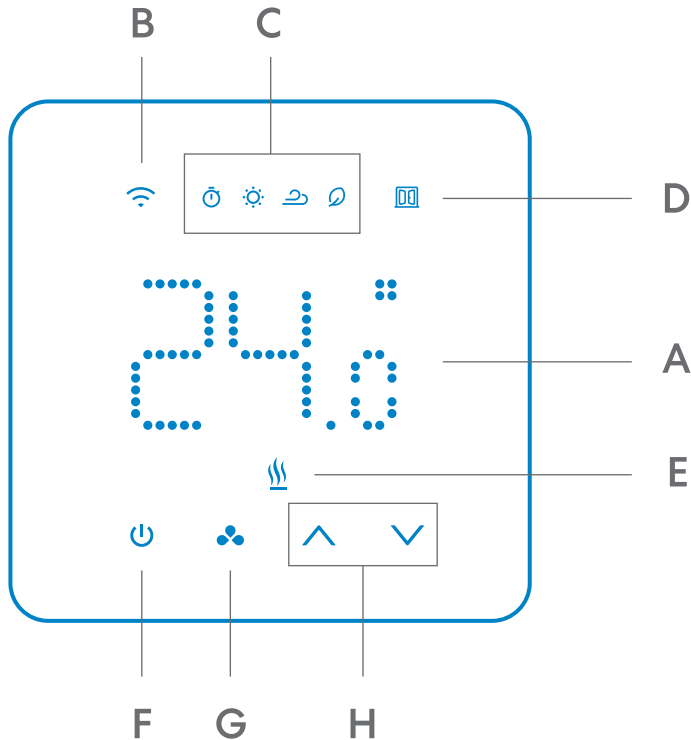
1 x Sensor *
 $\beta=3950$ $R25^{\circ}C=10K$



4 x Screws

* This sensor can be used to control your heating system or for floor overheat protection. If your system already has a sensor with the same parameters installed, you can also connect it to the thermostat to use. This external sensor is optional, you can install it or not.

Getting to know your thermostat



Indicators:

- A — Current temperature/Set temperature
- B — Wi-Fi
- C — Working modes:Auto(Schedule), Heat, Cool, Eco
- D — Open window detected*¹
- E — Heating

Buttons:

F — Power

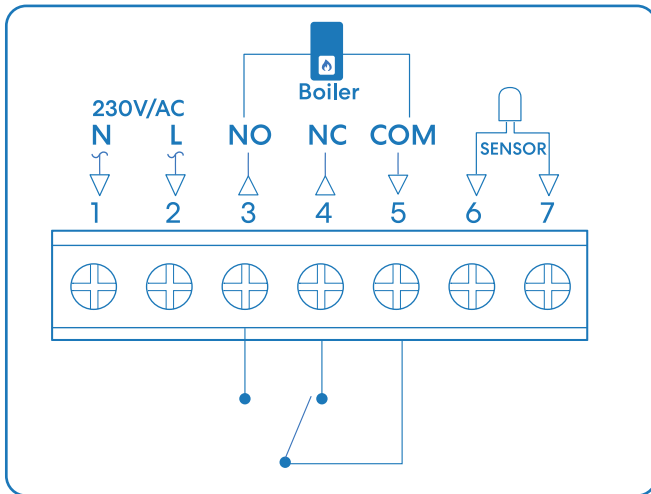
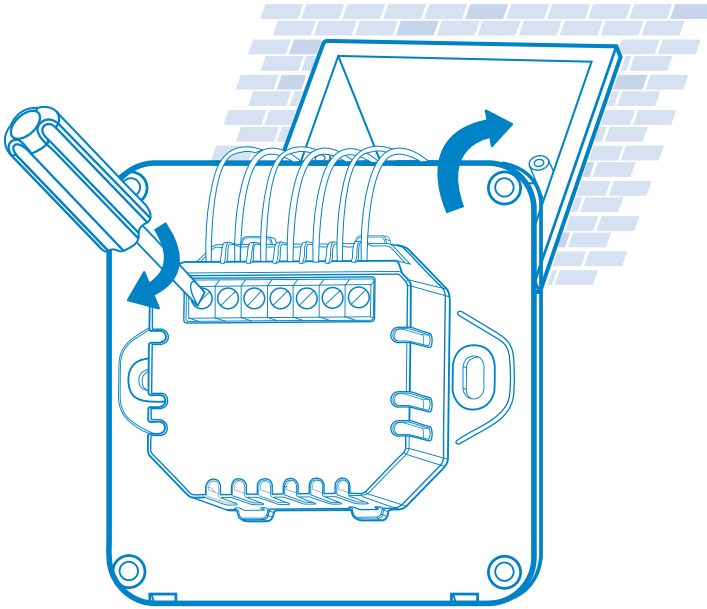
G — Mode*²

H — Up and Down*³

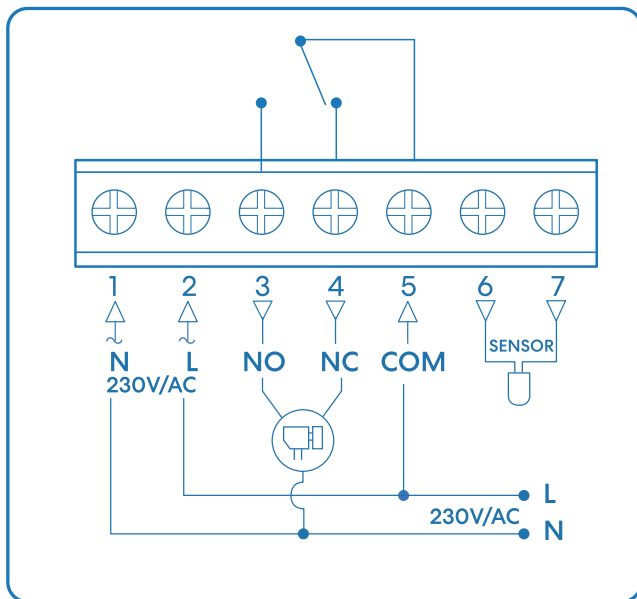
1. The device will automatically stop heating when it detects a sudden temperature drop. This is usually caused by an opened window or door. The device will resume to its previous status after 30mins if no action is implemented. Or you can manually resume the device by pressing any button or via the guidance in Meross app.
2. Long press the mode button for 3 seconds to temporarily unlock the child lock.
3. Press and hold the up and down buttons at the same time for 5 seconds, the device will factory reset and reboot.

Wiring Diagram

The wiring diagram is shown below, you can also check it on the device back. Download and open the Meross app, it will guide you through the wiring process.



Gas boiler heating system(Control the boiler with thermostat).



Water underfloor heating system(Control the thermal actuator with thermostat, support both 2-wire actuator and 3-wire actuator).

Installation Guide

1. Download the Meross app.



2. Set up the device.

- (1) Connect your smartphone or tablet to a 2.4 GHz Wi-Fi network.
- (2) Make sure your smart device is covered by strong Wi-Fi signal.*
- (3) The smart device supports iOS 13/ iPadOS 13 and later. It is recommended that you upgrade your iOS or iPadOS to the latest version before pairing with the smart device.
- (4) Launch the Meross app and log in to your account, or if you are a new user, tap Sign up to create a new account.
- (5) Tap the “+” icon to select the type of smart device you want to add, then you can just follow the setup wizard to finish configuration.

* MTS200 only supports 2.4GHz Wi-Fi network.

Note:

- (1) If this is not the first time you've added this smart device, you'll have to reset it before going any further—press and hold the " ^ V " buttons at the same time for 5 seconds until the Wi-Fi LED starts blinking.
- (2) As long as you finish configuration, you'll be able to manage the device in Apple Home app.
- (3) If the QR code does not work, please try to add the smart device in Apple Home app.
- (4) Find more at <https://www.meross.com/support>.

Link Meross to Google Assistant or Amazon Alexa

Set up the device in the Meross app and link it to the voice assistants.

Link to Amazon Alexa

Go to **Account-> Amazon Alexa** and allow Meross to link with Alexa.

Link to Google Assistant

Go to **Account-> Google Assistant** and follow the step-by-step instructions to complete the linking process.

FAQ

At Meross, we strive to assure your satisfaction. Attached below is a non-exhaustive list of questions that users are mostly concerned about.

1. What kind of system can MTS200 work with?

MTS200 supports boiler/water heating system, does not support electric heating system.

2. How to fix a pairing failure?

Please visit <https://www.meross.com/support/FAQ/230.html> for solution.

3. How do I manage my Meross device in Apple Home app?

Your Meross smart device will be automatically added to Apple Home app after you finish configuration in the Meross app.

4. Is there an internal temperature sensor?

Yes, there is an internal and an external sensor(optional).

To learn more,you can visit <https://www.meross.com/support/faqs> to find solutions for more frequently asked questions.